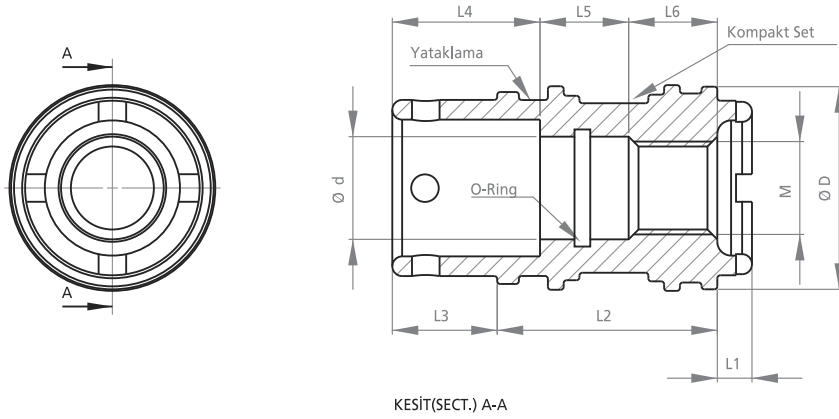




SİLİNDİR PİSTONU ÇİFT YATAKLAMALI

CYLINDER PISTON WITH DUAL BEARING



KESİT(SECT.) A-A

KOD CODE	ØD	Ød	M	L1	L2	L3	L4	L5	L6	YATAKLAMA BEARING	KOMPAKT SET COMPACT SET	O-RİNG O-RING
SSPCY 63-35	63	35	M30X2	10	70	40	50	30	30	63X58X9.8	63X51X20.5/4.2	35X3
SSPCY 70-40	70	40	M35X2	10	70	40	50	30	30	70X65X9.5	70X58X20.5/4.2	40X4
SSPCY 80-45	80	45	M40X2	10	70	40	50	30	30	80X75X9.5	80X66X22.4/5.2	45X4
SSPCY 90-50	90	50	M45X2	10	70	40	50	30	30	90X84X12.5	90X76X22.4/5.2	50X4
SSPCY 100-50	100	50	M45X2	10	70	40	50	30	30	100X94X12.5	100X86X22.4/5.2	50X4
SSPCY 110-60	110	60	M55X2	10	70	40	50	30	30	110X104X12.5	110X96X22.4/5.2	60X5
SSPCY 120-70	120	70	M65X2	10	70	40	50	30	30	120X114X12.5	120X106X22.4/5.2	70X5
SSPCY 130-80	130	80	M75X2	10	70	40	50	30	30	130X124X12.5	130X105X25.4/6.35	80X5